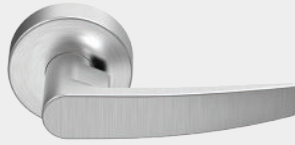


Designs and styles

Levers styles

Levers are solid pressure cast zinc, finished to match mating parts. Roses are wrought brass or bronze installed over steel through-bolted rose inserts. A spring-loaded retainer secures levers. Secure side retainer cannot be depressed without a key that operates the lock.

Avalon (A)



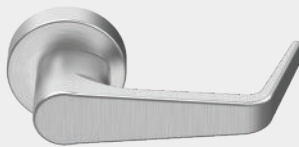
Boardwalk (BRK)



Broadway (BRW)



Dane (D)



Latitude (LAT)



Longitude (LON)



Quantum (Q)

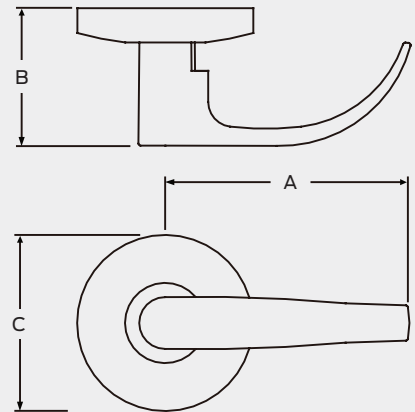
Standard rose
Dane lever
shownSmall rose
Dane lever
shown

Lever dimensions chart

Lever	A - width	B - projection	C - rose	
			Standard	Small (SR)
Avalon (A)	4 1/2"	2 1/2"	3 3/8"	2 9/16"
Boardwalk (BRK)	5"	2 1/2"	3 3/8"	2 9/16"
Broadway (BRW)	4 1/2"	2 1/2"	3 3/8"	2 9/16"
Dane (D)	4 5/8"	2 1/2"	3 3/8"	2 9/16"
Latitude (LAT)	4 1/2"	2 3/8"	3 3/8"	2 9/16"
Longitude (LON)	5"	2 3/8"	3 3/8"	2 9/16"
Quantum (Q)	4 5/8"	2 3/8"	3 3/8"	2 9/16"

Note: Return to door meets 1/2" requirement for Dane (D), Quantum (Q), Boardwalk (BRK) and Longitude (LON) levers.

Specify lever only if standard rose is desired. When ordering small rose you must specify both rose and lever. Example: Small rose-Avalon specify as SRA; Small rose-Latitude specify as SRLA; Small rose-Quantum specify as SRQ.



Abrasive strip levers

Dane, and Quantum levers are available with an abrasive strip along the inside length of the lever to identify entrances that may be to areas hazardous to the handicapped. To order, preface the design code with a 6 (example: 6D for Dane). Not available on 613 finish as abrasive strip will not hold.