

VON DUPRIN®

CALL 800-480-6613

SALES
REPAIR

SERVICE
INSTALLATION

INTEGRATION
WARRANTY



FBH ARCHITECTURAL SECURITY

Commercial Doors and Hardware

Electric strikes

Quick specification overview

Series 4200, 5100, 6300 & 6400



4200 Series

Designed for commercial traffic control.

4 in-field configurations

- Shallow 1 ⅜" backbox depth
- Optional latch bolt monitoring
- Fail-safe conversion without disassembly
- Low current draw
- BHMA 630 / US32D stainless steel, satin finish



5100 Series

Use as an interior or exterior medium-duty traffic control solution.

12 in-field configurations

- Extremely versatile for field conversions
- Adjustable keeper improves fit on tight door preps
- Faceplates and hardware included for an all-in-one boxed solution
- Orderable in 3 finishes



Powerful solutions

Allegion offers a full line of complementary products for electric strikes, providing all you need to complete your next access control installation.

6300 Series

Use with most rim exit devices as a no-cut solution for storefronts and other challenging applications.

Ideal for rim exit retrofits

- No-cut surface mount design
- 12 & 24 VDC prewired connectors
- BHMA 630 / US32D stainless steel, satin finish

3-hour
fire rated



6400 Series

Configurable deadbolt keeper and dead latch ramp aligns with a wide array of locks with offset latches.

The ultimate mortise solution

- Modular options fit cylindrical and nearly any mortise lock
- Includes offset and centerline faceplates
- 12 & 24 VDC prewired connectors
- BHMA 630 / US32D stainless steel, satin finish

3-hour
fire rated

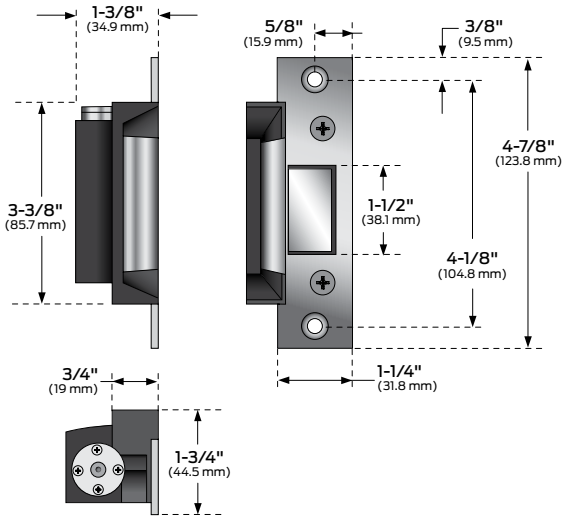


More strike options

Von Duprin electric strikes are available in a wealth of configurations. Ask about our 6100 and 6200 Series or go to www.allegion.com/us to learn more.

Versatility: fewer strikes that cover more needs

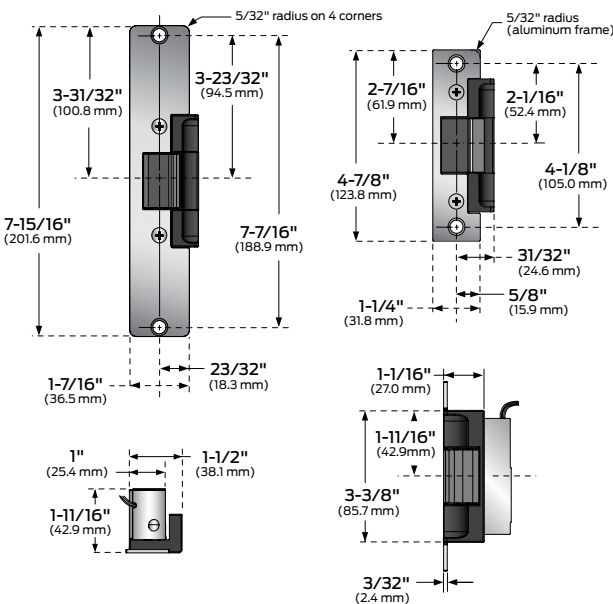
4200 Series Cylindrical lock and deadlatch applications



Opening	<ul style="list-style-type: none"> Hollow metal or Aluminum Cylindrical lock and deadlatch applications Single door Throw: 4211-1/2" to 3/4" 4212-1/2" to 5/8"
Power	<ul style="list-style-type: none"> Field selectable voltage 12 VDC continuous duty at 0.20 A 24 VDC continuous duty at 0.10 A 4212 latchbolt monitor rating: 30 VDC at 0.20 A
Installation*	<ul style="list-style-type: none"> Dual voltage internal solenoid Latchbolt monitor switch (4212 only) Field selectable fail-safe/fail-secure without disassembly
Strength	<ul style="list-style-type: none"> Stainless steel faceplate 1000 lbs. static strength 70 ft.-lbs. dynamic strength 500,000 cycles endurance Meets ANSI/BHMA 156.31 Grade 1 endurance & dynamic strength Meets ANSI/BHMA 156.31 Grade 2 static strength
Options	<ul style="list-style-type: none"> S012 12 VAC to 12 VDC voltage converter kit S024 24 VAC to 24 VDC voltage converter kit EB Entry buzzer - available for fail-secure use only

* Includes mounting tabs, fail secure conversion hex key, wood and machine screws, plus a suppressing diode.

5100 Series Cylindrical lock and deadlatch applications

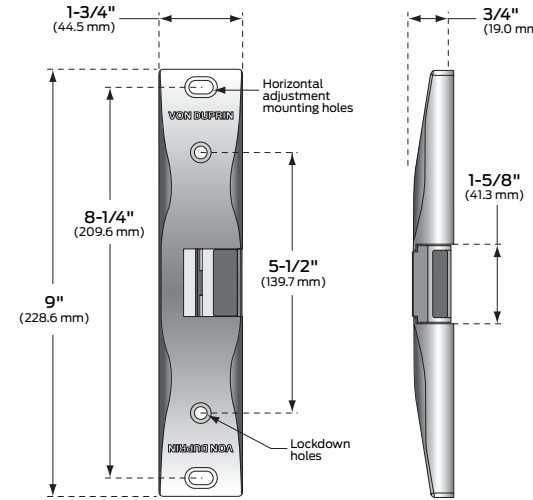


Opening	<ul style="list-style-type: none"> Hollow metal, Wood or Aluminum Cylindrical lock and most aluminum narrow stile and deadlatch applications Single door Throw: 1/2" to 5/8"
Power	<ul style="list-style-type: none"> Field selectable voltage 12 VDC continuous duty at 0.38 A 24 VDC continuous duty at 0.19 A
Installation*	<ul style="list-style-type: none"> Horizontally adjustable keeper improves fit on tight door preps Dual-voltage internal solenoid 3 faceplates: 1 each for hollow metal, wood and aluminum frames Field selectable fail-safe/fail-secure
Strength	<ul style="list-style-type: none"> 1300 lbs. static strength 70 ft.-lbs. dynamic / tamper-resistant design 1,000,000 cycles endurance Meets ANSI/BHMA 156.31 Grade 1 endurance & dynamic strength Meets ANSI/BHMA 156.31 Grade 2 static strength UL 1034 burglary listing
Finishes	<ul style="list-style-type: none"> BHMA 689/US SP28 Aluminum BHMA 622/US19 Flat Black BHMA 695/US SP313 Dark Brown
Options	<ul style="list-style-type: none"> S012 12 VAC to 12 VDC voltage converter kit S024 24 VAC to 24 VDC voltage converter kit

* Includes mounting tabs and shims, self-adhesive neoprene filler for retrofits, machine and wood screws plus wire nuts.

Safety, performance and quality you can trust

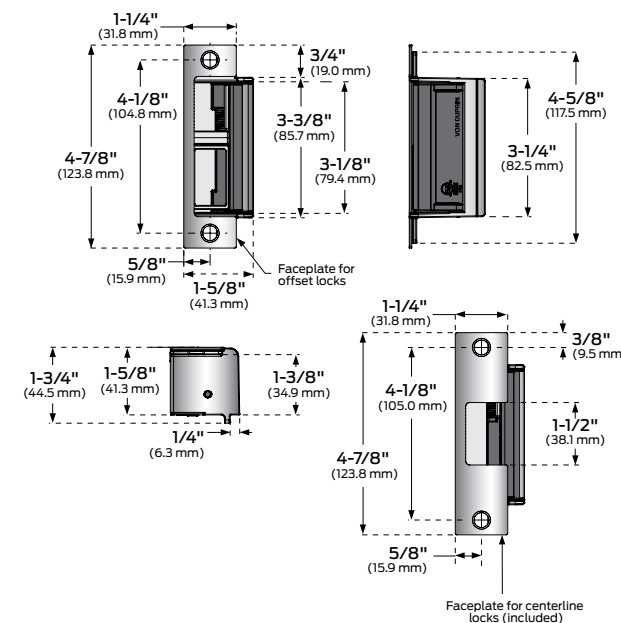
6300 Series Von Duprin, Falcon and most rim exit device applications



Opening	<ul style="list-style-type: none"> Hollow metal, Wood or Aluminum Most rim exit device applications Single door or pair with mullion Throw: up to 3/4"
Power	<ul style="list-style-type: none"> Field selectable voltage 12 VDC continuous duty at 0.50 A 24 VDC continuous duty at 0.24 A
Installation*	<ul style="list-style-type: none"> UL 10C 3-hour fire-rated (fail secure only) Dual-voltage internal solenoid No cut strike solution
Strength	<ul style="list-style-type: none"> Heavy-duty stainless steel construction 1500 lbs. static strength 70 ft.-lbs. dynamic / tamper-resistant design 2,000,000 cycles endurance Meets ANSI/BHMA 156.31 Grade 1 endurance, static & dynamic strength UL 1034 burglary listing
Options	<ul style="list-style-type: none"> S012 12 VAC to 12 VDC voltage converter kit S024 24 VAC to 24 VDC voltage converter kit EB Entry buzzer

* Includes two plug-in voltage connectors, mounting template, spacer plate, mounting screws, and hex wrench.

6400 Series Mortise, mortise exit and cylindrical applications



Opening	<ul style="list-style-type: none"> Hollow metal, Wood or Aluminum Mortise, mortise exit & cylindrical applications Single door Throw: up to 3/4" latch and 1" deadbolt (as night latch only, no release)
Power	<ul style="list-style-type: none"> Field selectable voltage 12 VDC continuous duty at .375 A 24 VDC continuous duty at .190 A 12/24 VAC intermittent duty at .280-.565 A
Installation*	<ul style="list-style-type: none"> 3-hour fire-rated to UL 10C (fail-secure only) Dual-voltage internal solenoid 3 modular components: deadbolt keeper, plug and deadlatch ramp insert. Each lock in place anywhere within 3 1/8" vertical opening to suit latch position and functional needs Includes 2 faceplates: offset and centerline lock faceplates 1/8" horizontal and wide range of vertical adjustments possible for misaligned doors & frames
Strength	<ul style="list-style-type: none"> Heavy-duty stainless steel construction 1500 lbs. static strength 70 ft.-lbs. dynamic / tamper-resistant design 2,000,000 cycles endurance Meets ANSI/BHMA 156.31 Grade 1 endurance, static & dynamic strength UL 1034 burglary listing
Options	<ul style="list-style-type: none"> LM6400 Modular, plug-in latch monitor EB Entry buzzer

* Includes two plug-in voltage connectors, self-adhesive template for frame cuts, trim filler plate, mounting tabs and shims, as well as tamper-resistant screws with a security driver bit.

About Allegion™

Allegion (NYSE: ALLE) is a global pioneer in safety and security, with leading brands like CISA®, Interflex®, LCN®, Schlage® and Von Duprin®. Focusing on security around the door and adjacent areas, Allegion produces a range of solutions for homes, businesses, schools and other institutions. Allegion is a \$2 billion company, with products sold in almost 130 countries.

For more, visit www.allegion.com

aptiQ ■ LCN ■  ■ STEELCRAFT ■ VON DUPRIN