

**CALL 800-480-6613**

SALES  
REPAIR

SERVICE  
INSTALLATION

INTEGRATION  
WARRANTY



**FBH ARCHITECTURAL SECURITY**  
*Commercial Doors and Hardware*



**ALLEGION™**



Schlage Control,<sup>™</sup> LE,  
and NDE wireless  
solutions

featuring connectivity with access  
control software alliances



Schlage  
wireless locks



Schlage  
NDE



Schlage  
LE



Schlage Control™  
Smart Deadbolt

# Connect and control more doors.

A whole lot easier than ever before.



Security has always been at the heart of all our products.

**Today we can deliver so much more.**

Walter Schlage invented the cylindrical lock in 1920; since then Schlage has consistently delivered innovation and continuous improvement. Now, we've added the latest technology to our world-class mechanical locks to deliver a new level of efficiency and convenience for your facility.

By adding built-in intelligence and communication technology Schlage Control,<sup>™</sup> LE, and NDE wireless locks can help your staff:

- Increase productivity by managing locks and electronic credentials from virtually anywhere
- Save time by eliminating the need to visit locks to make changes
- Review and export lock usage and history for detection and diagnostics
- Reduce risks associated with lost or stolen keys

**So if you are looking for an affordable way to improve security while reducing operational costs, open the door to Schlage wireless locks.**



Bring the added benefits of wireless security to any door.



Reduce the time and costs associated with managing keys due to frequent turnover



Enhance security with more visibility and control



Increase efficiency by enabling updates to occur from virtually anywhere

# Integrated lock, reader and sensors simplifies installation.



Mitigate risks associated with lost or stolen keys, provides a detailed audit of events



Increase satisfaction by enabling convenient card access to shared spaces



Integrates seamlessly into existing EAC systems<sup>1</sup>

<sup>1</sup> Requires alliance member software; consult your Allegion rep for more information.

Designed to work together  
in commercial, institutional  
and multi-family properties.

**Schlage Control™, LE, and NDE wireless locks  
share the following features:**

- Built on robust, reliable mechanical platforms
- Built-in credential reader and sensors for simplified installation
- Built-in Bluetooth® and Wi-Fi<sup>1</sup> connectivity
- Up to 2-year battery life with typical use



<sup>1</sup> Wi-Fi available on NDE and LE only

## Schlage NDE

- Refined design for doors with cylindrical prep
- Installs in minutes with only a Phillips screwdriver
- Compatible with proximity or smart credentials



Greenwich

Addison

## Schlage LE

- Elegant design for doors with mortise prep
- Choose Greenwich or Addison trim
- Options include mortise and mortise deadbolt
- Compatible with proximity or smart credentials

## Schlage Control™ Smart Deadbolt

- Smart deadbolt options for resident entries
- Choose Greenwich or Addison trim options
- Keyless, no cylinder design makes the lock pick and bump proof
- Compatible with smart credentials



Greenwich

Addison



Greenwich

Addison

## Schlage Control™ Smart Interconnected Lock

- Smart interconnected options for resident entries
- Choose Greenwich or Addison trim options.
- Interconnected design enables single-motion egress
- Keyless, no cylinder design makes the lock pick and bump proof
- Compatible with smart credentials

Please visit [allegionengage.com](http://allegionengage.com) for complete details including product features and specifications

# Lever designs and finishes

Levers that are common across Schlage Control™, LE and NDE

## NDE

The NDE is available in 3 popular lever designs.



Athens



Sparta



Rhodes

## LE

The LE is available in 28 Lever designs including the decorative M collection, and 2 knob designs.



07



17



06

## Control™ Smart Interconnected Locks

The Schlage Control™ Interconnected Lock is available in 13 Lever designs with coordinating roses to match the Greenwich or Addison design.



Jupiter



Neptune



Saturn

## Finishes

Finish options									
<b>Color</b>	Bright brass	Satin brass	Satin bronze	Satin nickel	Matte black	Bright chrome	Satin chrome	Satin chrome with anti-microbial	Aged bronze
<b>ANSI/BHMA number</b>	605	606	612	619	622	625	626	626AM	643e/716
<b>US number</b>	US3	US4	US10	US15	US19	US26	US26D	US26D	US11
<b>NDE</b>	■	■	■	■	■	■	■	■	■(643e)
<b>LE</b>	■	■	■	■	■	■	■	■	■(643e)
<b>Control</b>				■	■	■	■		■(716)



# Electronic credentials change the game.

- Credentials can be issued to residents, employees, visitors or service providers with restrictions to specific days and times
- Electronic credentials can be quickly added and revoked from anywhere
- Single credential can be used across a campus or facility including resident entry, common areas and amenities
- Enjoy the convenience of using a card, smart phone, smart fob, PVC disk, or a smart wrist band to open doors



## Popular credentials

Allegion offers a wide variety of credential options; highlighted below are just a few of the most popular:

### **Cards:**

- 9520 or 9551 MiFare® smart card
- 9951 MiFare® smart plus proximity card

### **Fobs:**

- 9651 MiFare® keyfob
- 9691T - MiFare® smart plus proximity thin fob

### **Wristbands:**

- 9351 MiFare® smart wristband

### **Mobile:**

- aptiQMobile

# Extend your existing Electronic Access Control system deeper into the building

Schlage Control™, NDE, and LE wireless locks are designed to complement traditional electronic access control (EAC) solutions to extend the benefits of EAC deeper into the facility. Our wireless locks have been integrated with industry leading access control software providers that offer a wide range of features and capabilities.

**To learn more about how the Schlage Control™, LE and NDE locks work with our Software Alliances please visit [us.allegion.com/alliances](https://us.allegion.com/alliances)**



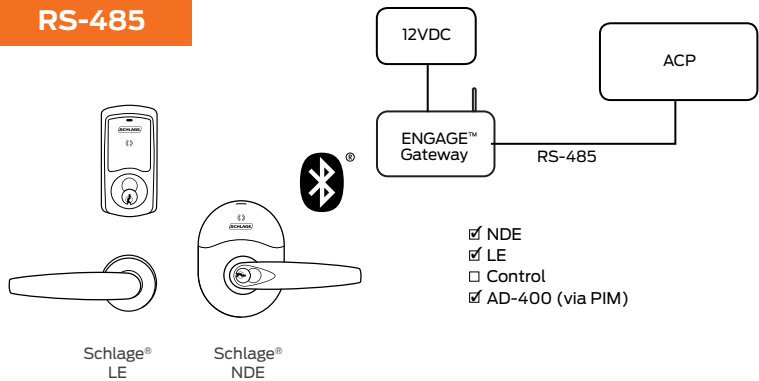
**Real time updates, including lockdown, are available when connected to Software Alliance systems with the ENGAGE™ gateway.**



ENGAGE™ Gateway

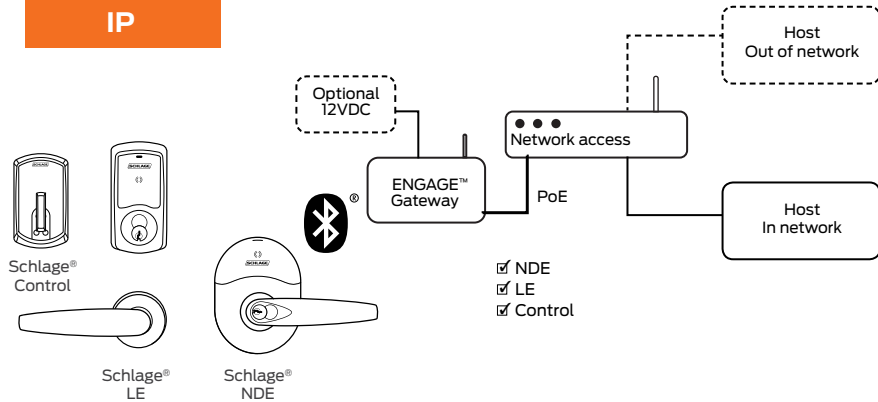
# Flexible options to connect to Software Alliance systems:

## RS-485



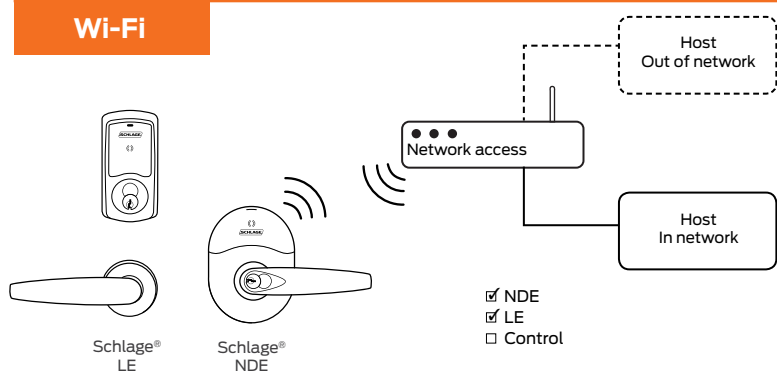
Connect Schlage NDE and LE locks to the access control system in real-time over RS-485 via the ENGAGE™ Gateway. Can work in the same system as Schlage AD series and aptiQ® readers.

## IP



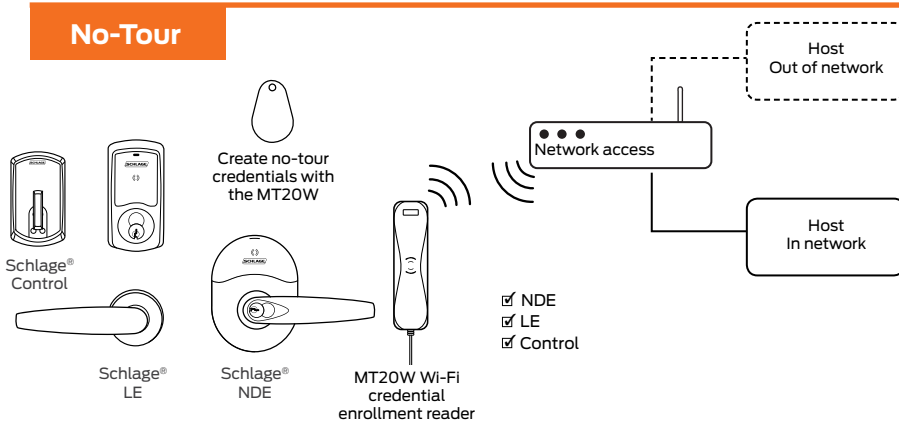
Schlage Control, NDE and LE locks can be connected to the access control system over the IT network in real-time via the ENGAGE™ Gateway.

## Wi-Fi



Schlage NDE and LE locks can be connected to the access control system over the IT network for automatic daily updates.

## No-Tour



Schlage Control, NDE and LE locks can be updated using smart credentials

## About Allegion

Allegion (NYSE: ALLE) is a global pioneer in safety and security, with leading brands like CISA®, Interflex®, LCN®, Schlage®, SimonsVoss® and Von Duprin®. Focusing on security around the door and adjacent areas, Allegion produces a range of solutions for homes, businesses, schools and other institutions. Allegion is a \$2 billion company, with products sold in almost 130 countries.

For more, visit [www.allegion.com](http://www.allegion.com)

*aptiQ* ■ LCN ■ **SCHLAGE** ■ STEELCRAFT ■ VON DUPRIN