

CALL 800-480-6613

SALES
REPAIR

SERVICE
INSTALLATION

INTEGRATION
WARRANTY



FBH ARCHITECTURAL SECURITY

Commercial Doors and Hardware



ALLEGION™



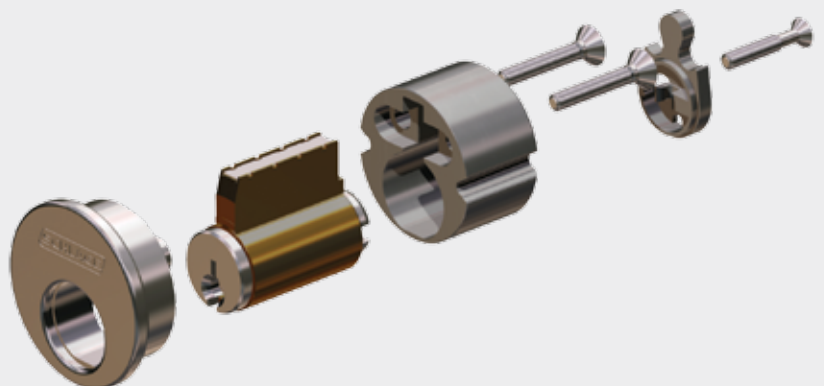
Modular cylinder

Overview

One cylinder is the foundation for every lock you need, add more flexibility with less inventory dollars, and make your job easier, faster and more profitable.

Now you can service almost any lock on any door with just one cylinder. Simply by adding or changing the front and back housing you can convert a modular cylinder into multiple cylinder types, including mortise, rim and key-in-lever. The revolutionary Schlage® Modular cylinder will dramatically reduce your inventory because you will be able to make almost any cylinder type from a series of modular components and parts.

Now, one cylinder changes everything.



Our modular cylinder is the foundation for every lock you need

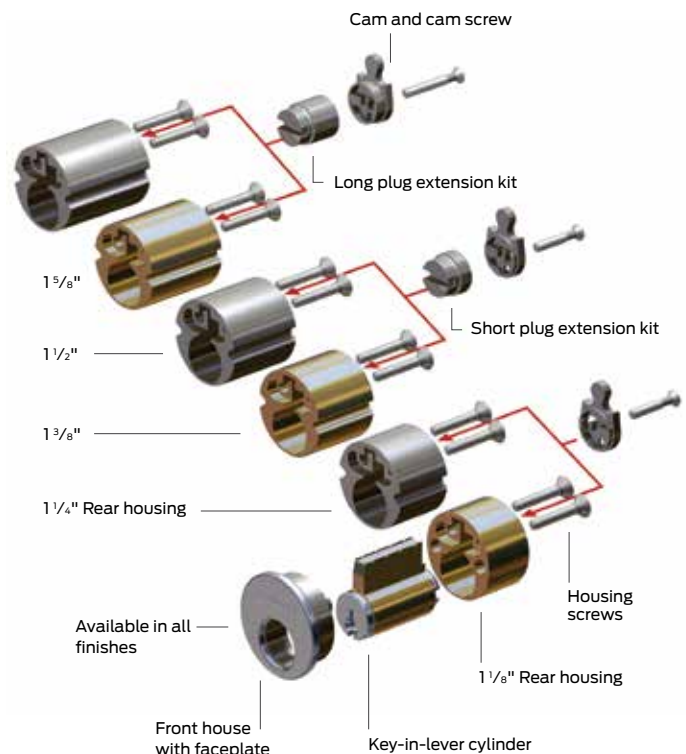
- One cylinder converts to three different cylinder types by changing the tailpiece, cam or rear housing
- Accommodates thicker doors with six available lengths of rear housing sizes
- Front housing available in all finishes to match the locks
- Supports interchangeability between Everest 29™, Primus® XP, and Classic key systems
- Fewer parts required to fill orders means less inventory and lower costs
- Never be caught on the job without the right part



One cylinder really does fit all

Thanks to the extraordinary versatility of the Schlage® modular cylinder you'll never be caught on the job again without the right part. You'll be able to assemble almost any Schlage cylinder on the spot, while providing your customers the same security, toughness and quality that has made Schlage one of the best names in the business.

- Adaptable to mortise, rim and key-in-lever or key-in-knob applications
- Available in all Schlage keyways, including Everest 29™ and Primus® XP



Front housing finishes



605 Bright brass 606 Satin brass 609 Antique brass 612 Satin bronze 613 Oil rubbed bronze 619 Satin nickel



625 Bright chrome 626 Satin chrome 629 Bright stainless 630 Satin stainless 643/716 Aged bronze

About Allegion

Allegion (NYSE: ALLE) creates peace of mind by pioneering safety and security. As a \$2 billion provider of security solutions for homes and businesses, Allegion employs more than 8,000 people and sells products in more than 120 countries across the world. Allegion comprises more than 25 global brands, including strategic brands CISA®, Interflex®, LCN®, Schlage® and Von Duprin®. For more, visit www.allegion.com.

aptiQ ■ LCN ■ SCHLAGE ■ STEELCRAFT ■ VON DUPRIN



© 2014 Allegion
006497, Rev. 11/14
www.allegion.com/us